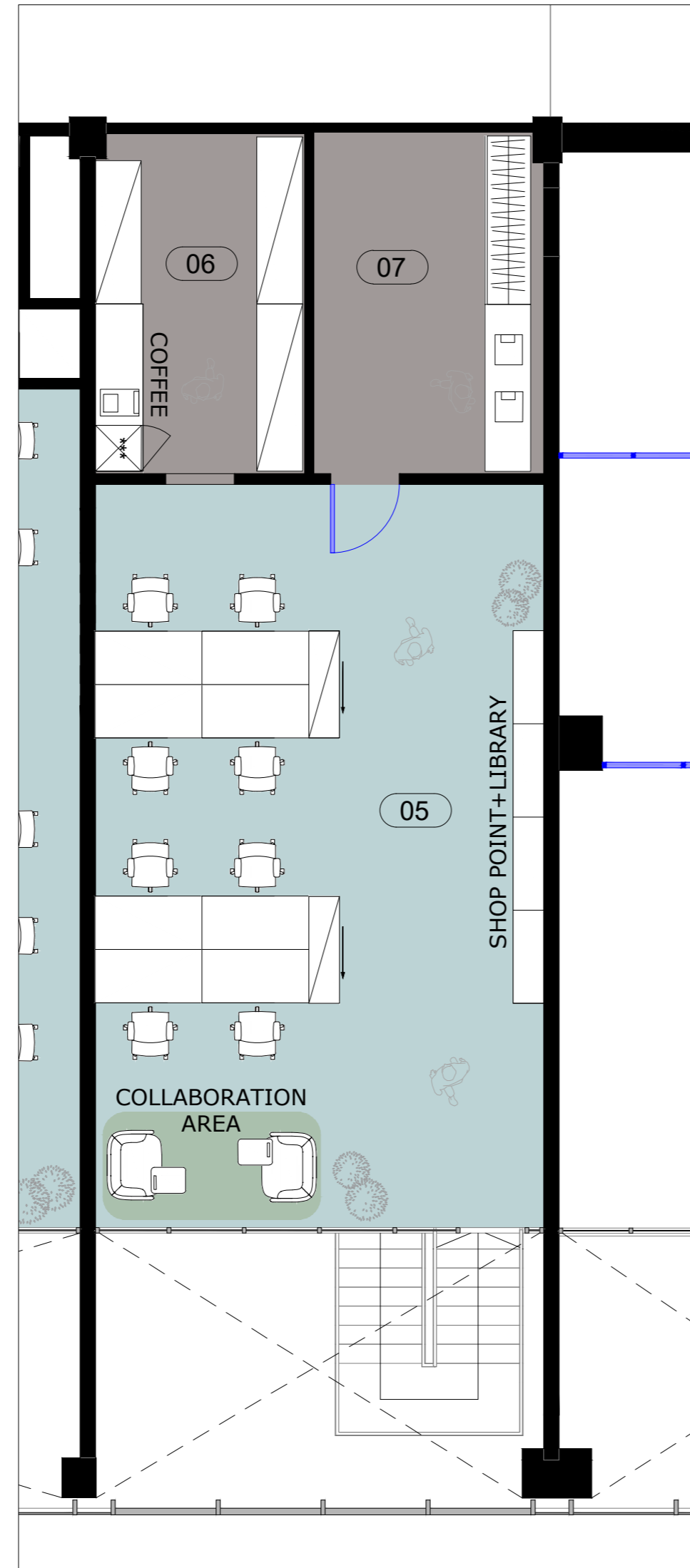
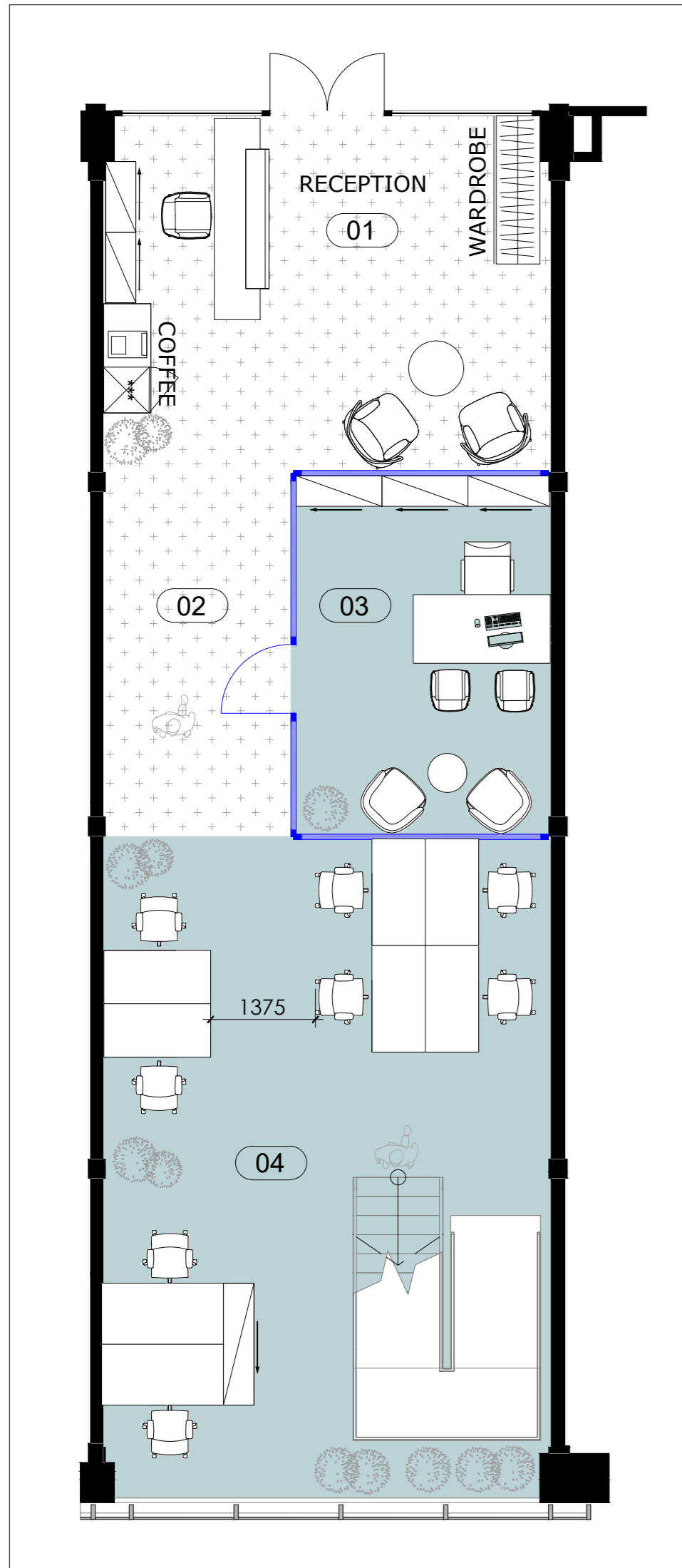
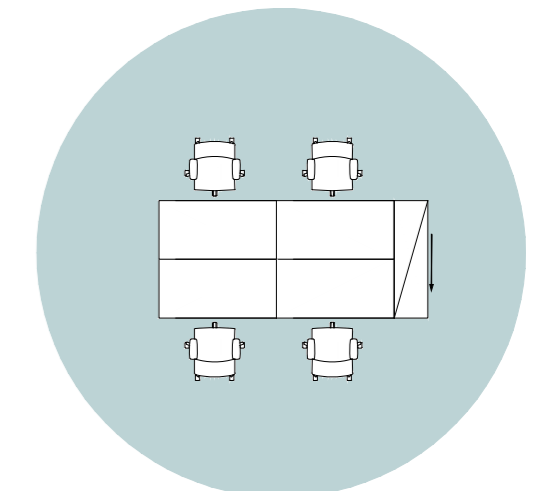


2 FLOOR

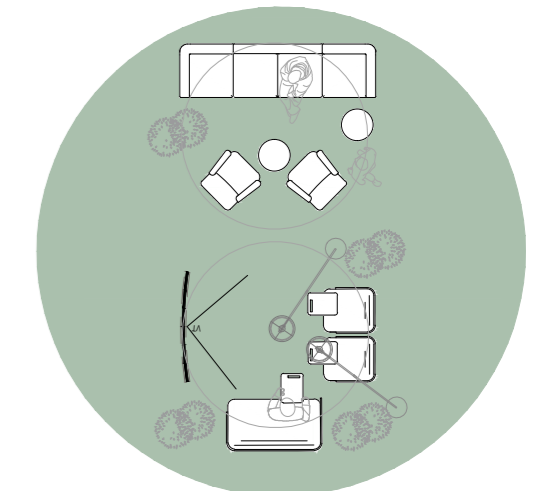
3 FLOOR



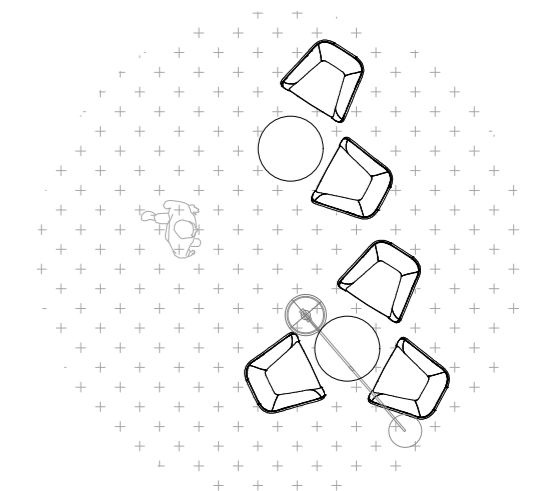
2+3 FLOOR		
No	ROOM_NAME	S
01	Reception	27.33
02	Hall	11.76
03	Office	15.77
04	Open space	44.53
05	Open space	57.24
06	Storage+Coffee point	12.30
07	Wardrobe+Copy	13.55
		182.48



workplace



lounge&collaboration area



common area

open space 101.77 m²
 workplace 16
 one workplace area ~ 6 m²

TOTAL AREA: 182.48 m²

