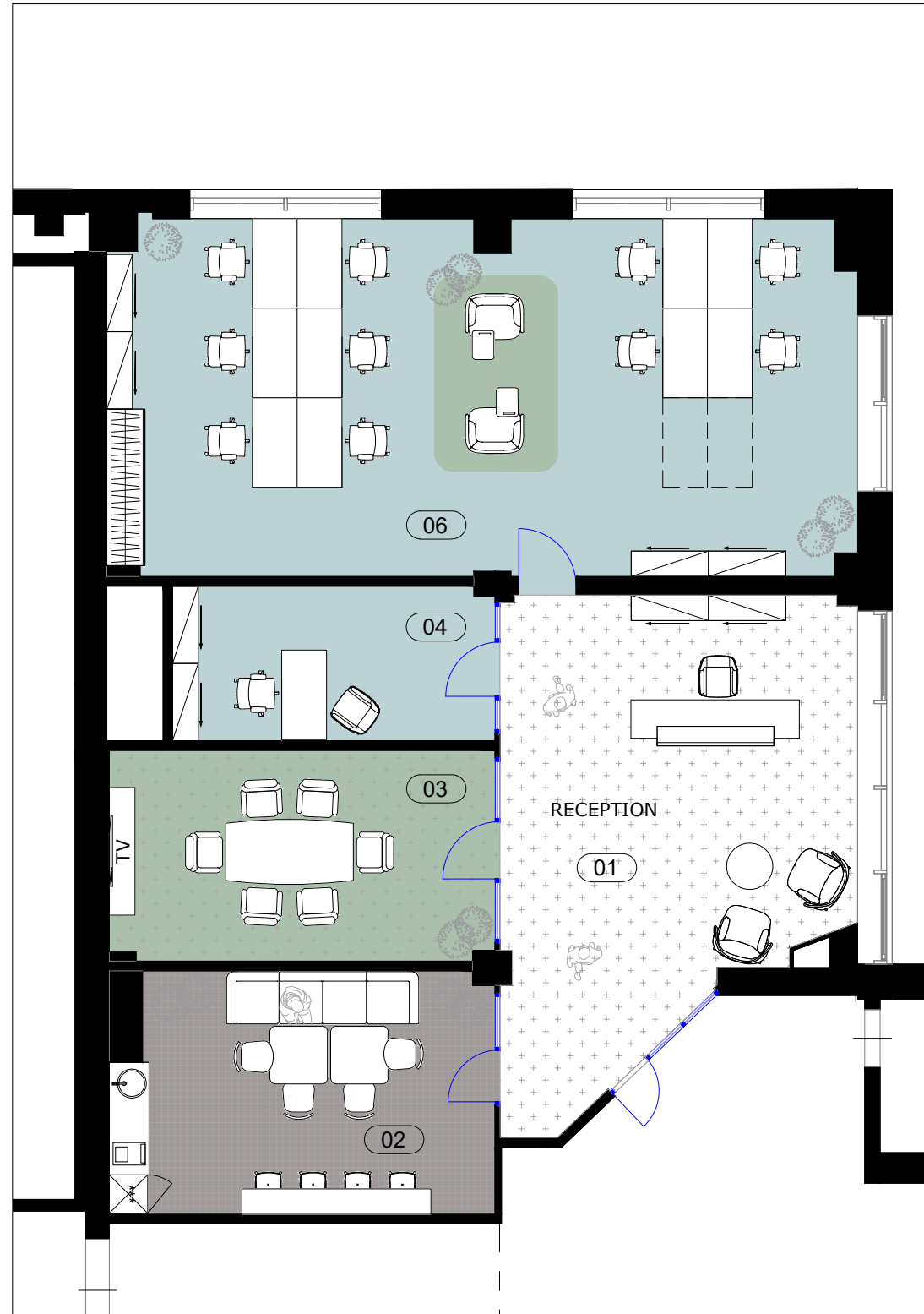
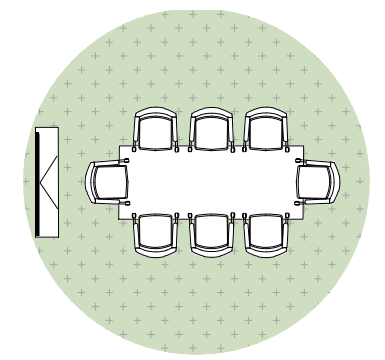


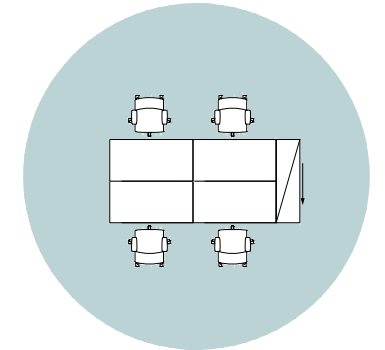
3 FLOOR



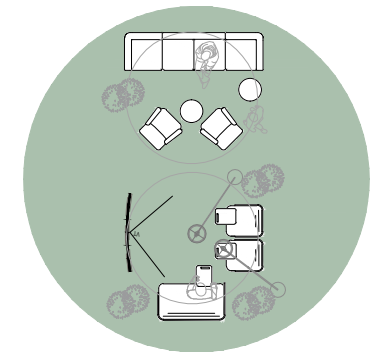
3 FLOOR		
No	ROOM_NAME	S
01	Reception	38.15
02	Kitchen	22.25
03	Meeting room	19.89
04	Office	12.24
06	Open space	65.01
		157.54



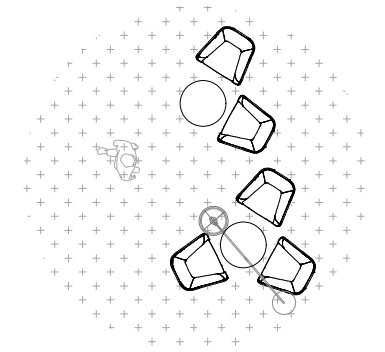
meeting area



workplace



lounge&collaboration area



common area



open space 65.01 m²
 workplace 10
 one workplace area ~ 6 m²

TOTAL AREA: 157.54 m²